

DATA SHEET

74F552

Octal registered transceiver with parity
and flags (3-State)

Product specification

1991 Jan 02

IC15 Data Handbook

Octal registered transceiver with parity and flags (3-State)

74F552

FEATURES

- 8-bit bidirectional I/O port with handshake
- Register status flag flip-flops
- Separate clock enable and output enable
- Parity generation and parity check
- B outputs and parity output sink 64mA

DESCRIPTION

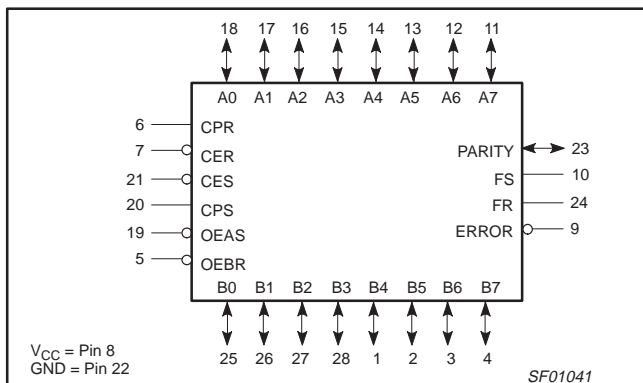
The 74F522 Octal Registered Transceiver contains two 8-bit registers for temporary storage of data flowing in either direction. Each register has its own Clock (CPR, CPS) and Clock Enable (\overline{CER} , \overline{CES}) inputs, as well as a flag flip-flop that is set automatically as the register is loaded. The flag output will be reset when the Output Enable returns to High after reading the output port. Each register has a separate Output Enable (\overline{OEAS} , \overline{OEBR}) for its 3-State buffer. The separate Clocks, Flags and Enables provide considerable flexibility as I/O ports for demand-response data transfer. When data is transferred from the A port to the B port, a parity bit is generated. On the other hand, when data is transferred from the B port to the A port, the parity of input data on B0–B7 is checked.

TYPE	TYPICAL f_{MAX}	TYPICAL SUPPLY CURRENT (TOTAL)
74F552	85MHz	120mA

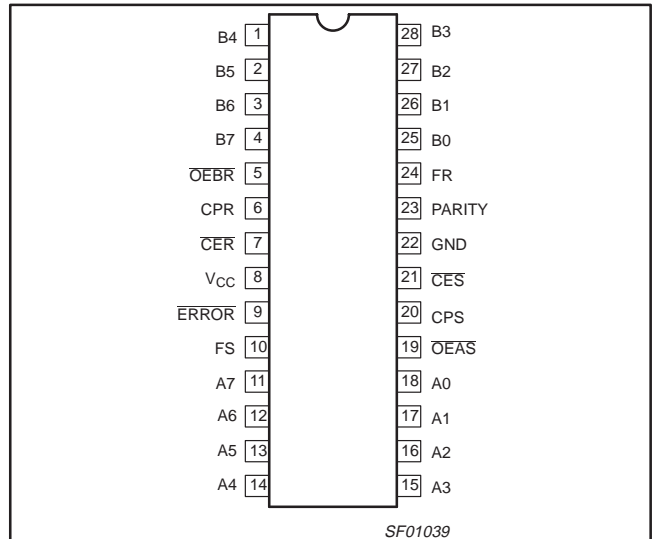
ORDERING INFORMATION

DESCRIPTION	COMMERCIAL RANGE $V_{CC} = 5V \pm 10\%$, $T_{amb} = 0^{\circ}C$ to $+70^{\circ}C$	PKG DWG #
28-Pin Plastic DIP (600mil)	N74F552N	SOT117-2
28-Pin Plastic SOL	N74F552D	SOT136-1

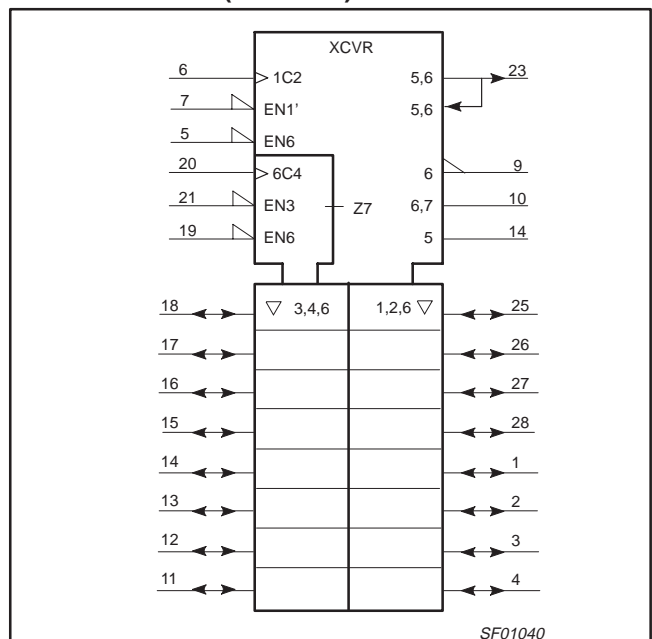
LOGIC SYMBOL



PIN CONFIGURATION



LOGIC SYMBOL (IEEE/IEC)



Octal registered transceiver with parity and flags (3-State)

74F552

INPUT AND OUTPUT LOADING AND FAN-OUT TABLE

PINS	DESCRIPTION	74F(U.L.) HIGH/LOW	LOAD VALUE HIGH/LOW
A0–A7	A Data inputs	3.5/1.0	70µA/0.6mA
B0–B7	B Data inputs	3.5/1.0	70µA/0.6mA
CPR	R registers clock input (active rising edge)	1.0/1.0	20µA/0.6mA
CPS	S registers clock input (active rising edge)	1.0/1.0	20µA/0.6mA
\overline{CER}	R registers clock Enable input (active Low)	1.0/1.0	20µA/0.6mA
\overline{CES}	S registers clock Enable input (active Low)	1.0/1.0	20µA/0.6mA
\overline{OEBR}	A-to-B Output Enable input (active Low) and clear FS output (active Low)	1.0/2.0	20µA/1.2mA
\overline{OEAS}	B-to-A Output Enable input (active Low) and clear FR output (active Low)	1.0/2.0	20µA/1.2mA
PARITY	Parity bit transceiver input	3.5/1.0	70µA/0.6mA
	Parity bit transceiver output	750/106.7	15mA/64mA
\overline{ERROR}	Parity check output (active Low)	50/33.3	1.0mA/20mA
A0–A7	A Data outputs	150/40	3.0mA/24mA
B0–B7	B Data outputs	750/106.7	15mA/64mA
FR	A-to-B Status Flag output (active High)	50/33.3	1.0mA/20mA
FS	B-to-A Status Flag output (active High)	50/33.3	1.0mA/20mA

NOTE: One (1.0) FAST Unit Load is defined as: 20µA in the High state and 0.6mA in the Low state.

FUNCTIONAL DESCRIPTION

Data applied to the A inputs are entered and stored on the rising edge of the CPR clock pulse, provided that the \overline{CER} is Low; simultaneously, the status flip-flop is set and the A-to-B flag (FR) output goes High. As the \overline{CER} returns to High, the data will be held in R register. This data entered from the A inputs will appear at the B port I/O pins after the \overline{OEBR} has gone Low. When \overline{OEBR} is Low, a parity bit appears at the PARITY pin, which will be set High when there is an even number of 1s or all 0s at the Q outputs of the R register. After the data is assimilated, the receiving system clears the flag FR, by changing the signal at the \overline{OEBR} pin from Low to High. Data flow from B-to-A proceeds in the same manner described for A-to-B flow. A Low at the \overline{CES} pin and a Low-to-High transition at the CPS pin enters the B input data and the parity input data into the S register and the parity register respectively and set the flag output FS to High. A Low signal at the \overline{OEAS} pin enables the A port I/O pins and a Low-to-High transition of the \overline{OEAS} signal clears the FS flag. When \overline{OEAS} is Low, the parity check output \overline{ERROR} will be High if there is an odd number of 1s at the Q outputs of the S register and the parity register.

R or S REGISTER FUNCTION TABLE

INPUTS			OUTPUTS	OPERATING MODE
An or Bn	CPX	\overline{CEX}	INTERNAL Q	
X	X	H	NC	Hold data
L	↑	L	L	Load data
H	↑	L	H	
X	↑	L	NC	Keep old data

H = High voltage level
 L = Low voltage level
 NC= No change
 X = Don't care
X = R or S for CPX and CEX
 ↑ = Low-to-High transition
 † = Not Low-to-High transition

OUTPUT CONTROL TABLE

INPUT	OUTPUTS		OPERATING MODE
	\overline{OEXX}	INTERNAL Q	
H	X	Z	Disable outputs
L	L	L	Enable output
L	H	H	

H = High voltage level
 L = Low voltage level
 X = Don't care
XX= AS or BR
 Z = High impedance "off" state

Octal registered transceiver with parity and flags (3-State)

74F552

R or S FLAG FUNCTION TABLE

INPUTS			OUTPUTS	OPERATING MODE
CEX	CPX	OEEX	FR or FS	
H	X	↑	NC	Hold flag
L	↑	↑	H	Set flag
X	X	↑	L	Clear flag

H = High voltage level
 L = Low voltage level
 NC= No change
 X = Don't care
X = R or S for CPX and CEX
XX= AS or BR
 ↑ = Low-to-High transition
 ↑̂ = Not Low-to-High transition

PARITY GENERATION FUNCTION TABLE

INPUTS		OUTPUTS		OPERATING MODE
OE̅BR	CPR	Number of Highs in the Q outputs of the R register	PARITY	
H	X	X	Z	Hold flag
L	↑	0,2,4,6,8	H	Load data
L	↑	1,3,5,7	L	

H = High voltage level
 L = Low voltage level
 X = Don't care
 Z = High impedance "off" state
 ↑ = Low-to-High transition

PARITY CHECK FUNCTION TABLE

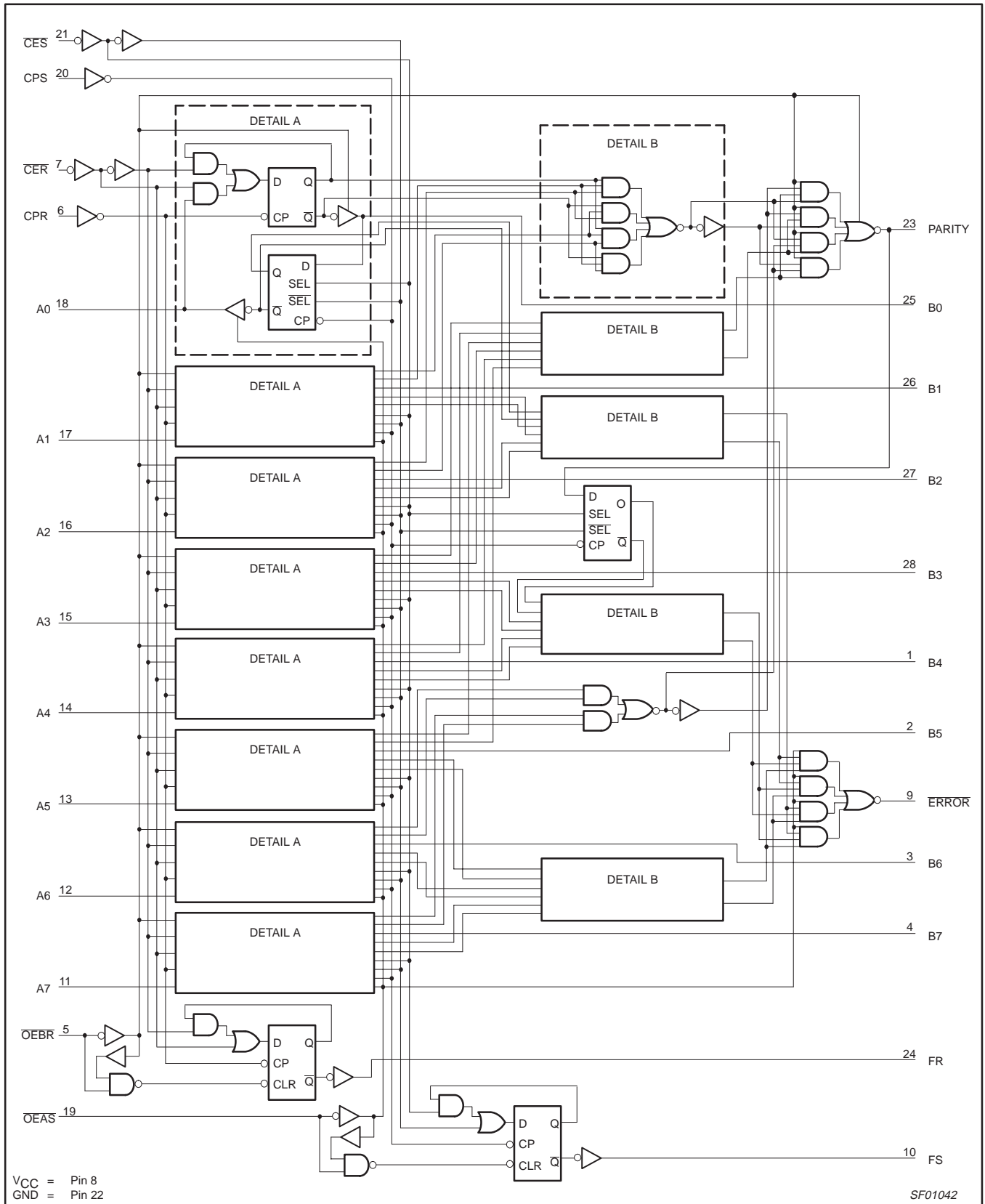
INPUTS			OUTPUTS		OPERATING MODE
OEAS	CPS	PARITY	Number of Highs in the Q outputs of the R register	ERROR	
H	X	X	X	H	Parity check
L	↑	L	0,2,4,6,8	L	
L	↑	L	1,3,5,7	H	
L	↑	H	0,2,4,6,8	H	
L	↑	H	1,3,5,7	L	

H = High voltage level
 L = Low voltage level
 X = Don't care
 ↑ = Low-to-High transition

Octal registered transceiver with parity and flags (3-State)

74F552

LOGIC DIAGRAM



Octal registered transceiver with parity and flags (3-State)

74F552

ABSOLUTE MAXIMUM RATINGS

(Operation beyond the limits set forth in this table may impair the useful life of the device.
Unless otherwise noted these limits are over the operating free-air temperature range.)

SYMBOL	PARAMETER	RATING	UNIT	
V_{CC}	Supply voltage	-0.5 to +7.0	V	
V_{IN}	Input voltage	-0.5 to +7.0	V	
I_{IN}	Input current	-30 to + V_{CC}	mA	
V_{OUT}	Voltage applied to output in High output state	-0.5 to + V_{CC}	V	
I_{OUT}	Current applied to output in Low output state	FR, FS, ERROR	40	mA
		A0-A7	48	mA
		B0-B7, PARITY	128	mA
T_{amb}	Operating free-air temperature range	0 to +70	°C	
T_{stg}	Storage temperature	-65 to +150	°C	

RECOMMENDED OPERATING CONDITIONS

SYMBOL	PARAMETER	LIMITS			UNIT
		MIN	NOM	MAX	
V_{CC}	Supply voltage	4.5	5.0	5.5	V
V_{IH}	High-level input voltage	2.0			V
V_{IL}	Low-level input voltage			0.8	V
I_{IK}	Input clamp current			-18	mA
I_{OH}	High-level output current	FR, FS, ERROR		-1	mA
		A0-A7		-3	mA
		B0-B7, PARITY		-15	mA
I_{OL}	Low-level output current	FR, FS, ERROR		20	mA
		A0-A7		24	mA
		B0-B7, PARITY		64	mA
T_{amb}	Operating free-air temperature range	0		70	°C

Octal registered transceiver with parity and flags (3-State)

74F552

DC ELECTRICAL CHARACTERISTICS

(Over recommended operating free-air temperature range unless otherwise noted.)

SYMBOL	PARAMETER		TEST CONDITIONS ^{NO TAG}		LIMITS			UNIT	
					MIN	TYP NO TAG	MAX		
V _{OH}	High-level output voltage	FR, FS, $\overline{\text{ERROR}}$	V _{CC} = MIN, V _{IL} = MAX, V _{IH} = MIN	I _{OH} = -1mA	±10%V _{CC}	2.5			V
					±5%V _{CC}	2.7	3.4		V
		A0-A7		I _{OH} = -3mA	±10%V _{CC}	2.4			V
					±5%V _{CC}	2.7	3.3		V
		B0-B7, PARITY		I _{OH} = -15mA	±10%V _{CC}	2.0			V
					±5%V _{CC}	2.0			V
V _{OL}	Low-level output voltage	FR, FS, $\overline{\text{ERROR}}$	V _{CC} = MIN, V _{IL} = MAX, V _{IH} = MIN	I _{OL} = 20mA	±10%V _{CC}		0.30	0.50	V
					±5%V _{CC}		0.30	0.50	V
		A0-A7		I _{OL} = 24mA	±10%V _{CC}		0.35	0.50	V
					±5%V _{CC}		0.35	0.50	V
		B0-B7, PARITY		I _{OL} = 48mA	±10%V _{CC}		0.38	0.55	V
					±5%V _{CC}		0.42	0.55	V
V _{IK}	Input clamp voltage		V _{CC} = MIN, I _I = I _{IK}			-0.73	-1.2	V	
I _I	Input current at maximum input voltage	others	V _{CC} = MAX, V _I = 7.0V				100	μA	
		A0-A7, B0-B7, PARITY	V _{CC} = 5.5V, V _I = 5.5V				1	mA	
I _{IH}	High-level input current	others except A0-A7, B0-B7, PARITY	V _{CC} = MAX, V _I = 2.7V				20	μA	
I _{IL}	Low-level input current	others	V _{CC} = MAX, V _I = 0.5V				-0.6	mA	
		OEAS, OEBA					-1.2	mA	
I _{OZH} +I _{IH}	Off-state output current High-level voltage applied	A0-A7, B0-B7, PARITY	V _{CC} = MAX, V _O = 2.7V				70	μA	
I _{OZL} +I _{IL}	Off-state output current Low-level voltage applied		V _{CC} = MAX, V _O = 0.5V				-600	μA	
I _{OS}	Short-circuit output current ^{NO TAG}	A0-A7, FS, FR, $\overline{\text{ERROR}}$	V _{CC} = MAX		-60		-150	mA	
		B0-B7, PARITY			-100		-225	mA	
I _{CC}	Supply current (total)	I _{CCH}	V _{CC} = MAX			115	170	mA	
		I _{ACL}				125	185	mA	
		I _{CCZ}				120	180	mA	

NOTES:

- For conditions shown as MIN or MAX, use the appropriate value under the recommended operating conditions for the applicable type.
- All typical values are at V_{CC} = 5V, T_{amb} = 25°C.
- Not more than one output should be shorted at a time. For testing I_{OS}, the use of high-speed test apparatus and/or sample-and-hold techniques are preferable in order to minimize internal heating and more accurately reflect operational values. Otherwise, prolonged shorting of a High output may raise the chip temperature well above normal and thereby cause invalid readings in other parameter tests. In any sequence of parameter tests, I_{OS} should be performed last.

Octal registered transceiver with parity and flags (3-State)

74F552

AC ELECTRICAL CHARACTERISTICS

SYMBOL	PARAMETER	TEST CONDITIONS	LIMITS					UNIT
			T _{amb} = +25°C V _{CC} = +5.0V C _L = 50pF, R _L = 500Ω			T _{amb} = 0°C to +70°C V _{CC} = +5.0V ± 10% C _L = 50pF, R _L = 500Ω		
			MIN	TYP	MAX	MIN	MAX	
f _{MAX}	Maximum Clock Frequency	Waveform 1	70	85		60		MHz
t _{PLH} t _{PHL}	Propagation delay CPS to An or CPR to Bn	Waveform 1	3.5 4.0	5.0 6.0	8.0 9.0	3.0 3.5	8.5 9.0	ns ns
t _{PLH}	Propagation delay CPS to FS or CPR to FR	Waveform 1	3.0	5.0	7.5	2.5	8.5	ns
t _{PHL}	Propagation delay OEAS to FS or OE $\overline{\text{BR}}$ to FR	Waveform 2	4.0	6.0	8.5	3.5	9.0	ns
t _{PLH} t _{PHL}	Propagation delay CPS to ERROR	Waveform 4	6.5 7.5	13.0 11.5	16.5 15.0	6.0 7.0	18.0 16.0	ns ns
t _{PLH} t _{PHL}	Propagation delay CPR to PARITY	Waveform 4	6.5 10.5	8.5 13.5	11.0 17.0	5.5 10.0	12.5 18.0	ns ns
t _{PLH} t _{PHL}	Propagation delay OEAS to ERROR	Waveform NO TAG	3.5 3.0	5.5 5.0	8.0 7.0	3.0 2.5	8.5 8.0	ns ns
t _{PZH} t _{PZL}	Output Enable time OEAS to An or OE $\overline{\text{BR}}$ to Bn	Waveform NO TAG Waveform NO TAG	2.5 4.0	4.0 6.5	7.0 9.5	2.0 4.0	8.0 10.5	ns ns
t _{PHZ} t _{PLZ}	Output Disable time OEAS to An or OE $\overline{\text{BR}}$ to Bn	Waveform NO TAG Waveform NO TAG	2.0 2.0	4.0 3.5	7.0 7.0	1.5 1.5	8.5 7.5	ns ns
t _{PZH} t _{PZL}	Output Enable time OE $\overline{\text{BR}}$ to PARITY	Waveform NO TAG Waveform NO TAG	2.0 4.0	4.0 5.5	7.0 8.0	2.0 3.0	7.5 9.0	ns ns
t _{PHZ} t _{PLZ}	Output Disable time OE $\overline{\text{BR}}$ to PARITY	Waveform NO TAG Waveform NO TAG	2.0 2.0	4.0 4.0	7.0 7.5	2.0 2.0	7.5 8.0	ns ns

AC ELECTRICAL CHARACTERISTICS

SYMBOL	PARAMETER	TEST CONDITIONS	LIMITS					UNIT
			T _{amb} = +25°C V _{CC} = +5.0V C _L = 50pF, R _L = 500Ω			T _{amb} = 0°C to +70°C V _{CC} = +5.0V ± 10% C _L = 50pF, R _L = 500Ω		
			MIN	TYP	MAX	MIN	MAX	
t _s (H) t _s (L)	Setup time, High or Low An or Bn or PARITY to CPS or CPR	Waveform 5	7.5 4.5			8.5 5.5		ns
t _h (H) t _h (L)	Hold time, High or Low An or Bn or PARITY to CPS or CPR	Waveform 5	0 0			0 0		ns
t _s (H) t _s (L)	Setup time, High or Low CES to CPS or CER to CPR	Waveform 5	7.0 7.0			7.5 7.5		ns
t _h (H) t _h (L)	Hold time, High or Low CES to CPS or CER to CPR	Waveform 5	0 0			0 0		ns
t _w (H) t _w (L)	CPS or CPR Pulse width, High or Low	Waveform 1	5.0 6.5			6.5 7.5		ns
t _{REC}	Recovery time OE $\overline{\text{BR}}$ to CPR or OEAS to CPS	Waveform 6	14.5			16.5		ns

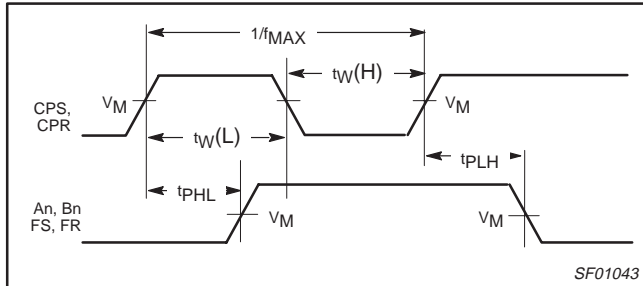
Octal registered transceiver with parity and flags (3-State)

74F552

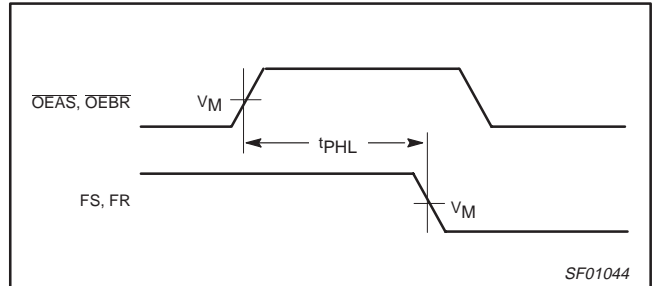
AC WAVEFORMS

For all waveforms, $V_M = 1.5V$.

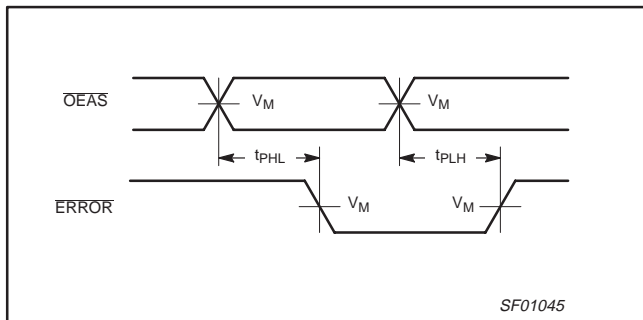
The shaded areas indicate when the input is permitted to change for predictable output.



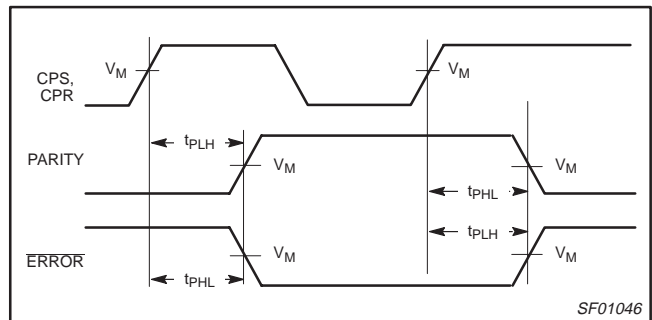
Waveform 1. Propagation Delay, Clock Input to Output and Maximum Clock Frequency



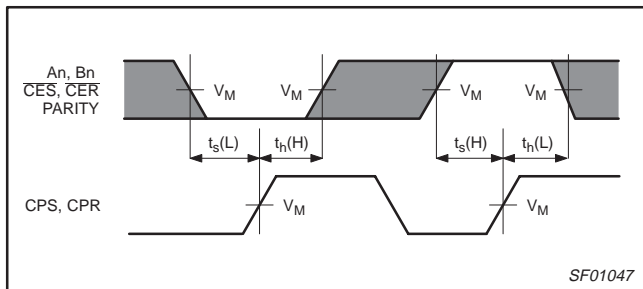
Waveform 2. Propagation Delay, Output Enable to Flag Output



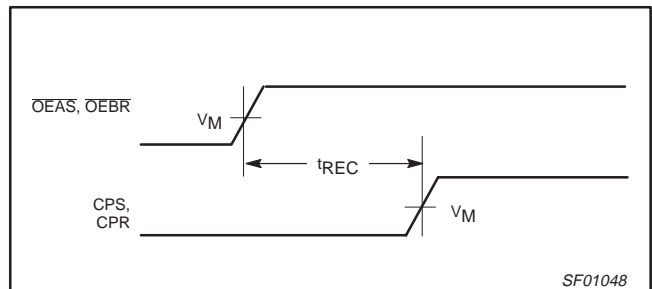
Waveform 3. Propagation Delay, Output Enable to ERROR



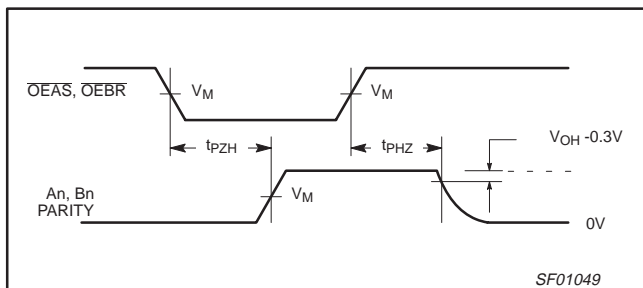
Waveform 4. Propagation Delay, Clock to PARITY and ERROR



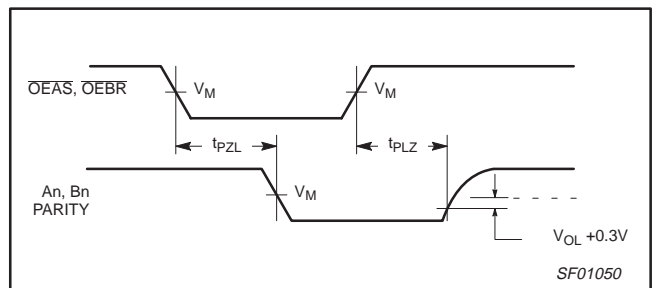
Waveform 5. Data Setup and Hold Times



Waveform 6. Recovery Time from Output Enable to Clock



Waveform 7. 3-State Output Enable Time to High Level and Output Disable Time from High Level



Waveform 8. 3-State Output Enable Time to Low Level and Output Disable Time from Low Level

Octal registered transceiver with parity and flags (3-State)

74F552

TEST CIRCUIT AND WAVEFORM

Test Circuit for 3-State Outputs

Input Pulse Definition

SWITCH POSITION

TEST	SWITCH
t_{PLZ}	closed
t_{PZL}	closed
All other	open

DEFINITIONS:

R_L = Load resistor; see AC electrical characteristics for value.

C_L = Load capacitance includes jig and probe capacitance; see AC electrical characteristics for value.

R_T = Termination resistance should be equal to Z_{OUT} of pulse generators.

family	INPUT PULSE REQUIREMENTS					
	amplitude	V_M	rep. rate	t_w	t_{TLH}	t_{THL}
74F	3.0V	1.5V	1MHz	500ns	2.5ns	2.5ns

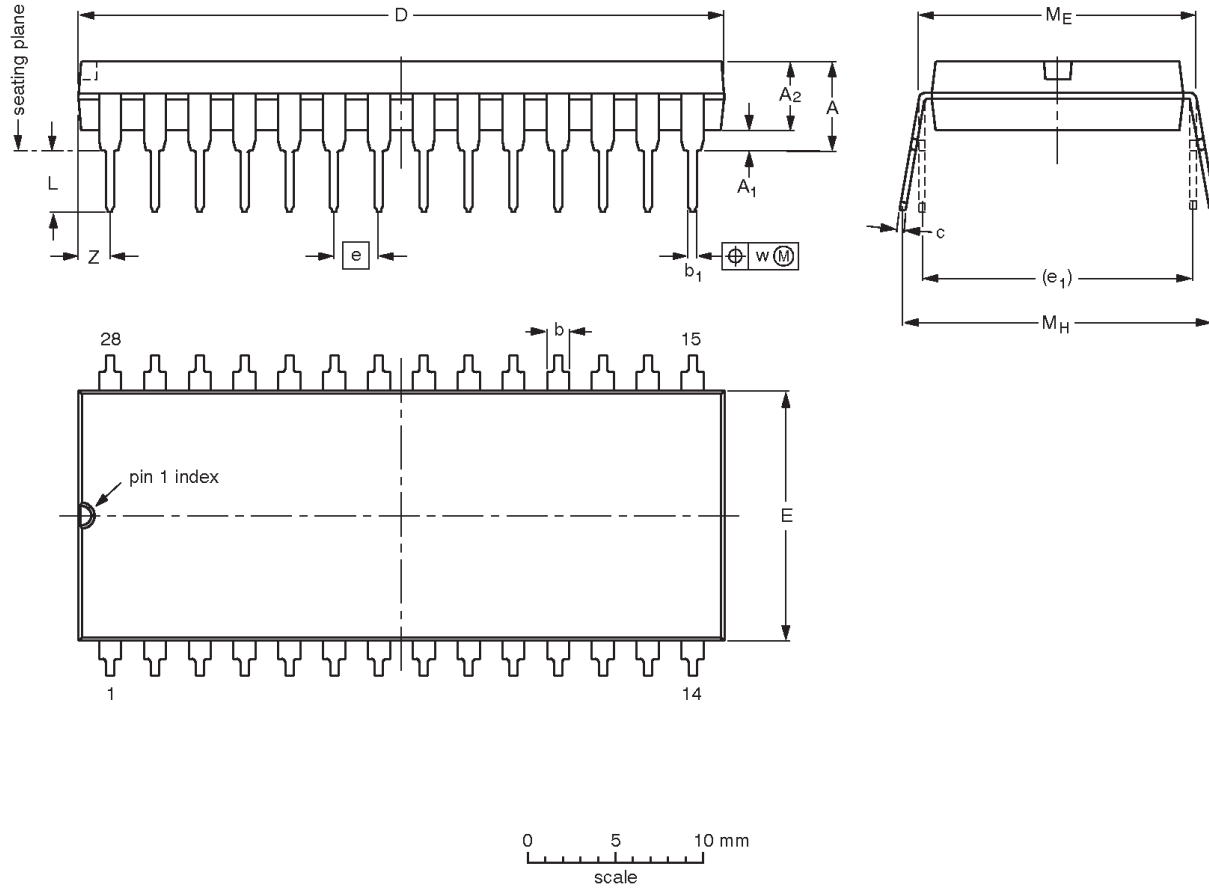
SF00777

Octal registered transceiver with parity and flags (3-State)

74F552

DIP28: plastic dual in-line package; 28 leads (600 mil); long body

SOT117-2



DIMENSIONS (millimetre dimensions are derived from the original inch dimensions)

UNIT	A max.	A ₁ min.	A ₂ max.	b	b ₁	c	D ⁽¹⁾	E ⁽¹⁾	e	e ₁	L	M _E	M _H	w	Z ⁽¹⁾ max.
mm	5.08	0.51	3.94	1.63 1.14	0.56 0.43	0.38 0.25	37.08 35.94	14.22 13.84	2.54	15.24	3.51 3.05	15.75 15.24	17.65 15.24	0.25	2.10
inches	0.200	0.020	0.155	0.064 0.045	0.022 0.017	0.015 0.010	1.460 1.415	0.560 0.545	0.100	0.600	0.138 0.120	0.62 0.60	0.695 0.600	0.01	0.083

Note

1. Plastic or metal protrusions of 0.01 inches maximum per side are not included.

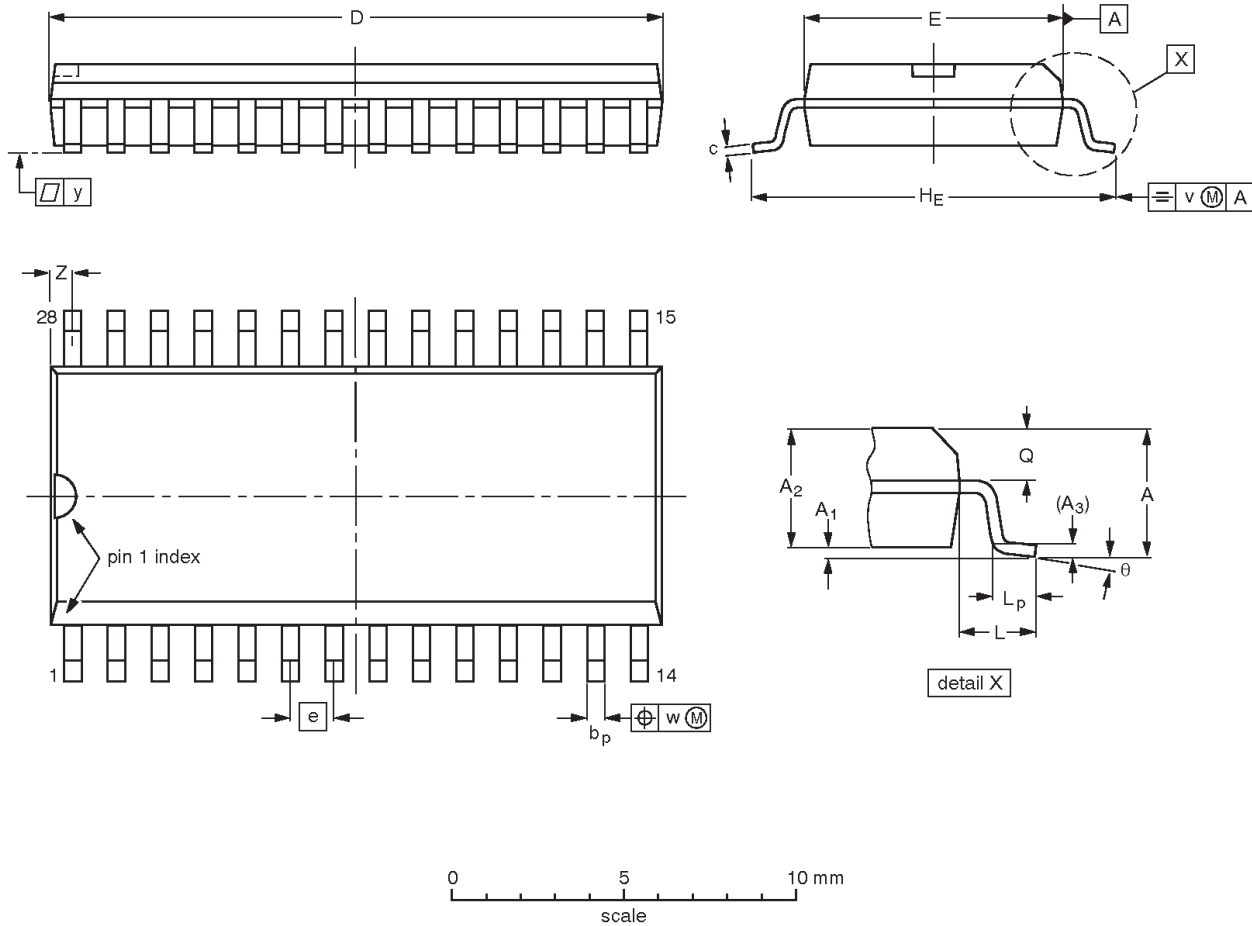
OUTLINE VERSION	REFERENCES				EUROPEAN PROJECTION	ISSUE DATE
	IEC	JEDEC	EIAJ			
SOT117-2		MS-011AB				95-03-11

Octal registered transceiver with parity and flags (3-State)

74F552

SO28: plastic small outline package; 28 leads; body width 7.5mm

SOT136-1



DIMENSIONS (inch dimensions are derived from the original mm dimensions)

UNIT	A max.	A ₁	A ₂	A ₃	b _p	c	D ⁽¹⁾	E ⁽¹⁾	e	H _E	L	L _p	Q	v	w	y	z ⁽¹⁾	θ
mm	2.65	0.30 0.10	2.45 2.25	0.25	0.49 0.36	0.32 0.23	18.1 17.7	7.6 7.4	1.27	10.65 10.00	1.4	1.1 0.4	1.1 1.0	0.25	0.25	0.1	0.9 0.4	8° 0°
inches	0.10	0.012 0.004	0.096 0.089	0.01	0.019 0.014	0.013 0.009	0.71 0.69	0.30 0.29	0.050	0.419 0.394	0.055	0.043 0.016	0.043 0.039	0.01	0.01	0.004	0.035 0.016	

Note

1. Plastic or metal protrusions of 0.15 mm maximum per side are not included.

OUTLINE VERSION	REFERENCES				EUROPEAN PROJECTION	ISSUE DATE
	IEC	JEDEC	EIAJ			
SOT136-1	075E06	MS-013AE				95-01-24 97-05-22

Octal registered transceiver with parity and flags (3-State)

74F552

NOTES

Octal registered transceiver with parity and flags (3-State)

74F552

Data sheet status

Data sheet status	Product status	Definition [1]
Objective specification	Development	This data sheet contains the design target or goal specifications for product development. Specification may change in any manner without notice.
Preliminary specification	Qualification	This data sheet contains preliminary data, and supplementary data will be published at a later date. Philips Semiconductors reserves the right to make changes at any time without notice in order to improve design and supply the best possible product.
Product specification	Production	This data sheet contains final specifications. Philips Semiconductors reserves the right to make changes at any time without notice in order to improve design and supply the best possible product.

[1] Please consult the most recently issued datasheet before initiating or completing a design.

Definitions

Short-form specification — The data in a short-form specification is extracted from a full data sheet with the same type number and title. For detailed information see the relevant data sheet or data handbook.

Limiting values definition — Limiting values given are in accordance with the Absolute Maximum Rating System (IEC 134). Stress above one or more of the limiting values may cause permanent damage to the device. These are stress ratings only and operation of the device at these or at any other conditions above those given in the Characteristics sections of the specification is not implied. Exposure to limiting values for extended periods may affect device reliability.

Application information — Applications that are described herein for any of these products are for illustrative purposes only. Philips Semiconductors make no representation or warranty that such applications will be suitable for the specified use without further testing or modification.

Disclaimers

Life support — These products are not designed for use in life support appliances, devices or systems where malfunction of these products can reasonably be expected to result in personal injury. Philips Semiconductors customers using or selling these products for use in such applications do so at their own risk and agree to fully indemnify Philips Semiconductors for any damages resulting from such application.

Right to make changes — Philips Semiconductors reserves the right to make changes, without notice, in the products, including circuits, standard cells, and/or software, described or contained herein in order to improve design and/or performance. Philips Semiconductors assumes no responsibility or liability for the use of any of these products, conveys no license or title under any patent, copyright, or mask work right to these products, and makes no representations or warranties that these products are free from patent, copyright, or mask work right infringement, unless otherwise specified.

Philips Semiconductors
811 East Arques Avenue
P.O. Box 3409
Sunnyvale, California 94088-3409
Telephone 800-234-7381

© Copyright Philips Electronics North America Corporation 1998
All rights reserved. Printed in U.S.A.

print code

Date of release: 10-98

Document order number:

9397-750-05137

Let's make things better.